

Max. tension: 230 - 400 V  
 Max. current: See table  
 Optional: CANBus, Ethernet, Profinet (with approval)  
 Max cable speed: 30 m/min  
 Protection degree: IP 65  
 Temperature range: -20/+60°C

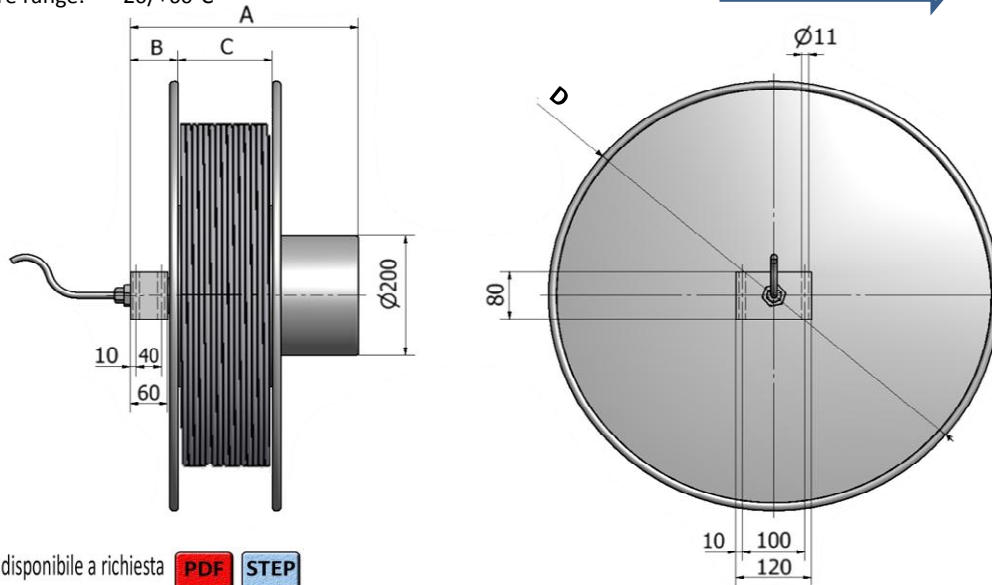
Automatici a molla, non idonei per utilizzo manuale.



Automatic spring driven manual use is not allowed.



ROTAZIONE DESTRA  
RIGHT ROTATION



Disegno tecnico disponibile a richiesta  
Technical drawing available on request



Cavo/Cable		V	Collettore Slip-ring	KW		A	B	C	D	Con cavo - With cable			
Tipo/Type	Ø mm			Usable length [m]	⊙					⌋	Horizontal use		Vertical use
				mm				kg	CODE	kg	CODE		
3	3x1,5 mm <sup>2</sup>	8	40 45	230	2F+T 30A	1,2	3,5		570		LCR570.031540		
									570		LCR570.031545		
	3x2,5 mm <sup>2</sup>	10	40	230	2F+T 30A	1,6	5		570		LCR570.032540		
4	4x1,5 mm <sup>2</sup>	9,3	45	400	3F+T 30A	4	6		570				LCR570.041545/V
					3	5							
	4x2,5 mm <sup>2</sup>	11	40	3F+T 30A	7	9		570		LCR570.042540			
				6	8								
	4x4 mm <sup>2</sup>	15	33	3F+T 30A	11	15		720		LCR700.044033/O/F			
				9	13								
	4x6 mm <sup>2</sup>	15		3F+T 30A	17	22							
4x10 mm <sup>2</sup>	23		3F+T 50A	25	31								
4x16 mm <sup>2</sup>	24		3F+T 100A	32	40								
4x25 mm <sup>2</sup>	26		3F+T 150A	40	50								

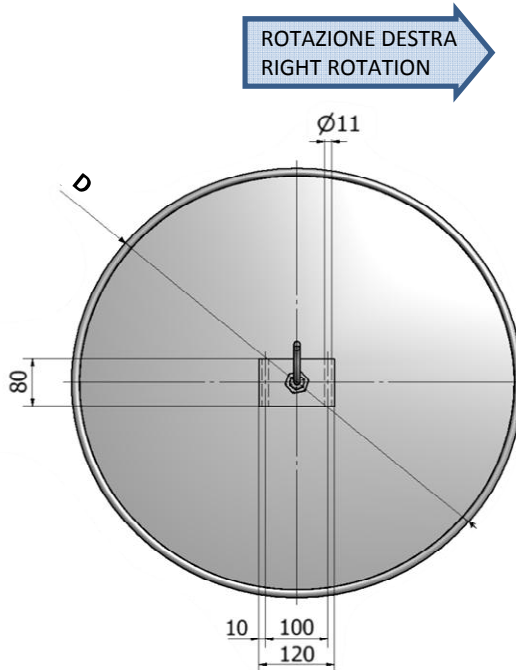
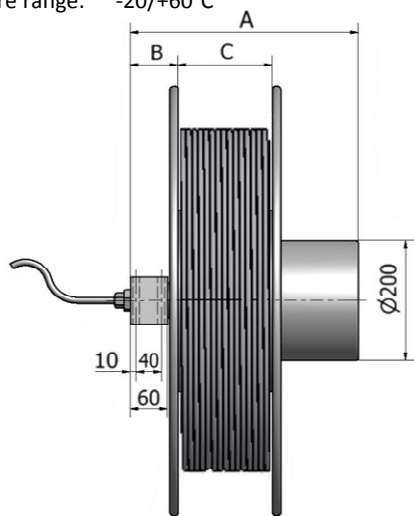


Max. tension: 230 - 400 V  
 Max. current: See table  
 Optional: CANBus, Ethernet, Profinet (with approval)  
 Max cable speed: 30 m/min  
 Protection degree: IP 65  
 Temperature range: -20/+60°C

Automatici a molla, non idonei per utilizzo manuale.



Automatic spring driven manual use is not allowed.



Disegno tecnico disponibile a richiesta  
 Technical drawing available on request



Cavo/Cable		V	Collettore Slip-ring	KW		A	B	C	D	Con cavo - With cable			
Tipo/Type	Ø mm			Usable length [m]	⊙					⌋	Usò orizzontale Horizontal use		Usò verticale Vertical use
						mm		kg	CODE	kg	CODE		
5	5x1,5 mm <sup>2</sup>	10	400	3F+N+T 30A	1,2	3,5							
					7	9							
	5x2,5 mm <sup>2</sup>	10	400	3F+N+T 30A	6	8							
					11	15							
5x4 mm <sup>2</sup>	16	400	3F+N+T 30A	9	13								
				17	22								
5x6 mm <sup>2</sup>	19	400	3F+N+T 30A	17	22								
				7	9								
7	7x2,5 mm <sup>2</sup>	14	400	30A	6	8							
12	12x1 mm <sup>2</sup>	13	400	30A				720		LCR700.121055			
								720		LCR700.121533/O/F			
	12x1,5 mm <sup>2</sup>	15	400	30A	1,2	3,5							
	12x2,5 mm <sup>2</sup>		400	30A	7	9							
24	24x1,5 mm <sup>2</sup>	21	400	30A	1,2	3,5							
					6	8							
	24x2,5 mm <sup>2</sup>	23	400	30A									