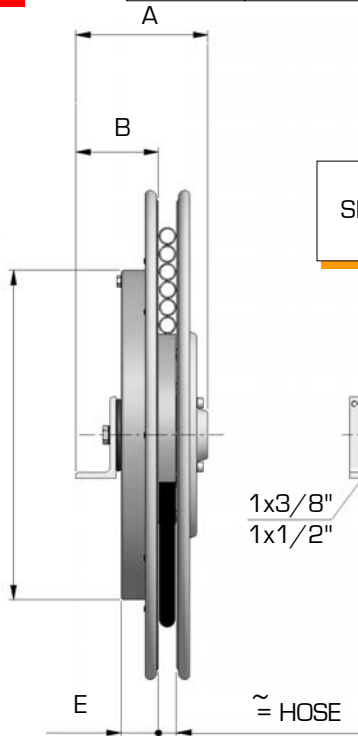
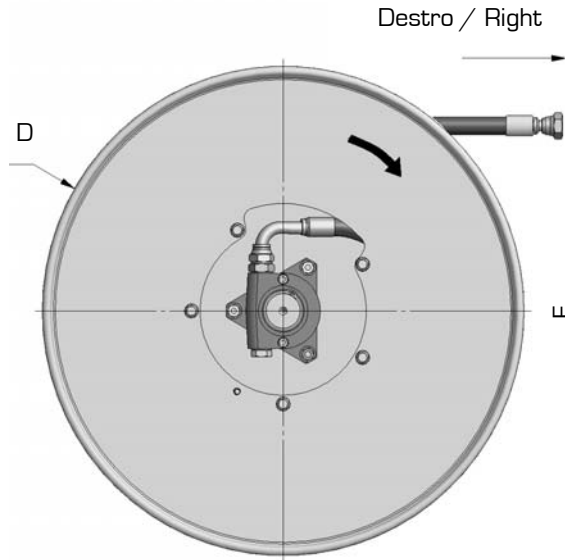
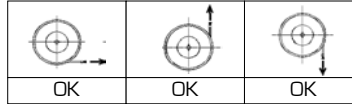


141.1

.08	30 l/min
.10	30 l/min
.12	40 l/min
.16	60 l/min
.19	80 l/min
.26	135 l/min

**W. P.
350 bar**
**MAX HOSE SPEED
30 m/min**

 1x3/8"
1x1/2"

≈ HOSE

S1D 520 = MODELLO DESTRO / RIGHT MODEL
 S1S 520 = MODELLO SINISTRO / LEFT MODEL
 Es. ORD: S1D 520.10.2SN

Modello destro	A	B	D	E	F	Tubo/Hose SB1 - 1SN - 2SN - 4SP		
						Ø	Lungh.totale	Lungh.utile
							Total length	Usable length
Right model	mm						m	m
S1D520.08.XX			520			5/16"	10,0	9,7
S1D520.10.XX						3/8"	9,3	9,0
S1D520.12.XX						1/2"	8,2	7,9
S1D520.16.XX						5/8"	5,0	4,7
S1D520.19.XX						3/4"	4,2	3,9
S1D520.26.XX						1"	2,8	2,5
S1D570.10.XX			570			3/8"	11,0	10,7
S1D570.12.XX						1/2"	10,0	9,7
S1D570.16.XX						5/8"	5,7	5,4
S1D570.19.XX						3/4"	5,8	5,5
S1D570.26.XX						1"	4,4	4,1
S1D600.10.XX			620			3/8"	12,5	12,2
S1D600.12.XX						1/2"	11,5	11,2
S1D600.16.XX						5/8"	7,5	7,2
S1D600.19.XX						3/4"	7,0	6,7
S1D600.26.XX					1"	6,0	5,7	
S1D650.10.XX			650			3/8"	14,8	14,5
S1D650.12.XX						1/2"	13,8	13,5
S1D650.16.XX						5/8"	9,4	9,1
S1D650.19.XX						3/4"	7,8	7,5
S1D650.26.XX					1"	6,3	6,0	
S1D700.10.XX			720			3/8"	18,5	18,2
S1D700.12.XX						1/2"	14,5	14,2
S1D700.16.XX						5/8"	11,5	11,2
S1D700.19.XX						3/4"	9,8	9,5
S1D700.26.XX						1"	8,4	8,1