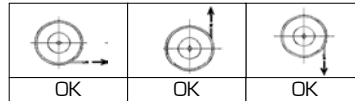


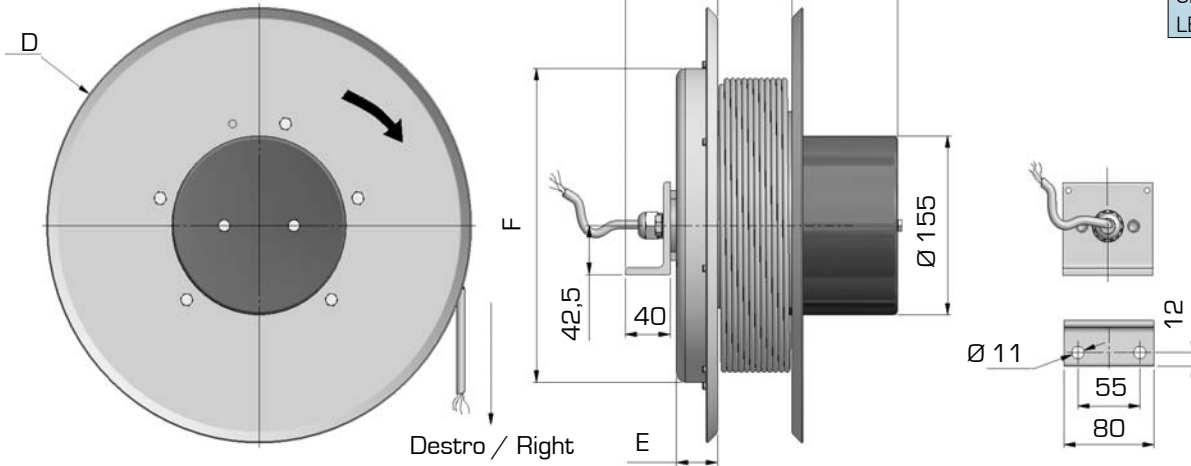
**141.1**

IP 65

 75 V  
MAX  
15 A

-20 / +60°C



**NO MANUAL**

 CRD 520 = MODELLO DESTRO / RIGHT MODEL  
 CRS 520 = MODELLO SINISTRO / LEFT MODEL

Cavo/Cable			A	B	C	D	E	F	Uso orizzontale Horizontal use	Uso verticale Vertical use
Tipo/Type	ø mm	mt.	mm						CODE	CODE
3x2,5 mm <sup>2</sup>	10,2	6	170	82	-	295	37	272	CRD 295.032506	CRD 295.032506/V
		10	170	82	-	370	37	322	CRD 370.032510	CRD 370.032510/V
		15	170	82	-	370	37	322	CRD 370.032515	CRD 370.032515/V
		20	180	92	-	478	47	422	CRD 470.032520	CRD 470.032520/V
		30	180	92	-	620	47	532	CRD 600.032530	CRD 600.032530/V
4x2,5 mm <sup>2</sup>	11,0	6	180	82	-	295	37	272	CRD 295.042506	CRD 295.042506/V
		10	180	82	-	370	37	322	CRD 370.042510	CRD 370.042510/V
		15	180	82	-	370	37	322	CRD 370.042515	CRD 370.042515/V
		20	190	92	-	478	47	422	CRD 470.042520	CRD 470.042520/V
		25	190	92	-	520	47	422	CRD 520.042525	CRD 520.042525/V
		30	200	92	-	620	47	532	CRD 600.042530	CRD 600.042530/V
5x2,5 mm <sup>2</sup>	13,0	10	190	82	-	370	37	322	CRD 370.052510	CRD 370.052510/V
		15	190	82	-	478	47	422	CRD 470.052515	CRD 470.052515/V
		20	200	92	-	520	47	422	CRD 520.052520	CRD 520.052520/V
		30	210	92	-	720	47	532	CRD 700.052530	CRD 700.052530/V
7x2,5 mm <sup>2</sup>	14,0	10	220	82	-	400	37	322	CRD 400.072510	CRD 400.072510/V
		20	230	92	-	520	47	422	CRD 520.072520	CRD 520.072520/V
		25	230	92	-	570	47	422	CRD 570.072525	CRD 570.072525/V
		40	250	92	-	820	47	532	CRD 800.072540	-
12x2,5 mm <sup>2</sup>	17,7	10	280	92	-	478	47	422	CRD 470.122510	CRD 470.122510/V
		20	290	92	-	720	47	532	CRD 700.122520	CRD 700.122520/V
		30	290	92	-	820	47	532	CRD 800.122530	CRD 800.122530/V