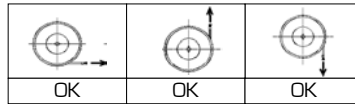
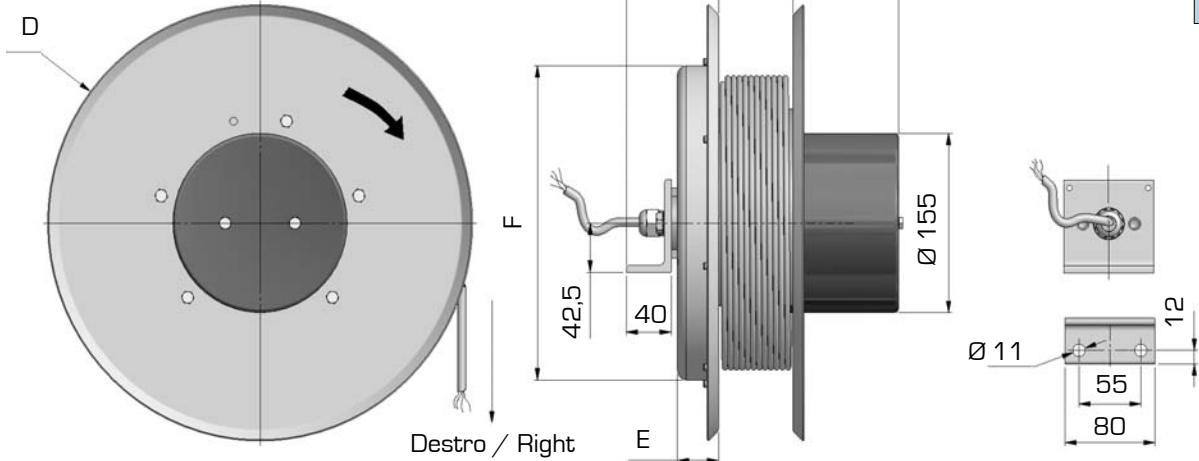


141.1

IP 65

 75 V
MAX
6 A

-20 / +60°C


NO MANUAL

 CRD 520 = MODELLO DESTRO / RIGHT MODEL
 CRS 520 = MODELLO SINISTRO / LEFT MODEL

Cavo/Cable			A	B	C	D	E	F	Uso orizzontale Horizontal use	Uso verticale Vertical use
Tipo/Type	ø mm	mt.	mm						CODE	CODE
12x1,5 mm ²	14,7	10	285	92	-	400	37	322	CRD400.121510	CRD400.121510/V
		15	285	92	-	520	47	422	CRD520.121515	CRD520.121515/V
		20	285	92	-	520	47	422	CRD520.121520	CRD520.121520/V
		30	295	92	-	720	47	532	CRD700.121530	CRD700.121530/V
		35	295	92	-	820	47	532	CRD800.121535	
16x1,5 mm ²	16,6	10	340	92	-	478	47	322	CRD470.161510	CRD470.161510/V
		15	340	92	-	520	47	422	CRD520.161515	CRD520.161515/V
		20	350	92	-	570	47	422	CRD570.161520	CRD570.161520/V
		25	350	92	-	620	47	532	CRD600.161525	CRD600.161525/V
		35	350	92	-	820	47	532	CRD800.161535	
20x1,5 mm ²	20,0	20	360	92	-	620	47	532	CRD600.201520	CRD600.201520/V
		30	360	92	-	720	47	532	CRD700.201530	CRD700.201530/V
24x1,5 mm ²	20,0	10	380	92	-	520	47	422	CRD520.241510	CRD520.241510/V
		15	380	92	-	570	47	422	CRD570.241515	CRD570.241515/V
		20	380	92	-	620	47	532	CRD600.241520	CRD600.241520/V
		25	390	92	-	720	47	532	CRD700.241525	CRD700.241525/V
		30	390	92	-	820	47	532	CRD800.241530	CRD800.241530/V
		40	390	92	-	820	47	532	CRD800.241540	
36x1,5 mm ²		13	350	92	-	570	47	422	CRD570.361513	CRD570.361513/V