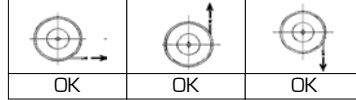
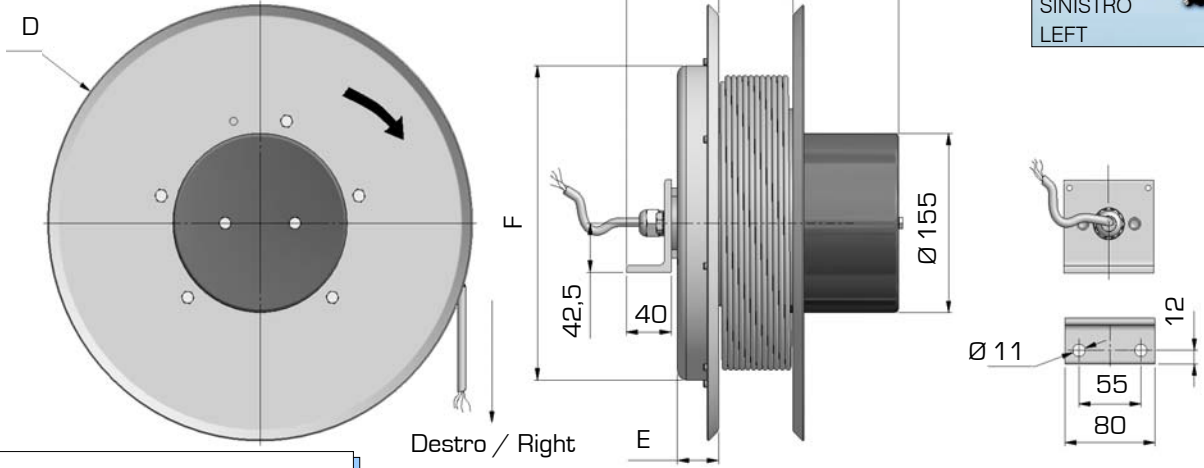


141.1

IP 65

 75 V
MAX
5 A

-20 / +60°C


NO MANUAL

 SINISTRO
LEFT

 CRD 520 = MODELLO DESTRO / RIGHT MODEL
CRS 520 = MODELLO SINISTRO / LEFT MODEL

Cavo/Cable			A	B	C	D	E	F	Uso orizzontale Horizontal use	Uso verticale Vertical use
Tipo/Type	ø mm	mt.	mm						CODE	CODE
12x1 mm ²	13	10	285	82	-	370	37	322	CRD370.121010	CRD370.121010/V
		15	285	92	-	478	47	322	CRD470.121015	CRD470.121015/V
		20	285	92	-	500	47	322	CRD500.121020	CRD500.121020/V
		25	295	92	-	570	47	422	CRD570.121025	CRD570.121025/V
		32	295	92	-	720	47	532	CRD700.121032	CRD700.121032/V
16x1 mm ²	15,3	10	340	82	-	370	37	322	CRD370.161010	CRD370.161010/V
		15	340	92	-	520	47	322	CRD520.161015	CRD520.161015/V
		20	350	92	-	570	47	422	CRD570.161020	CRD570.161020/V
		30	350	92	-	720	47	532	CRD700.161030	CRD700.161030/V
		40				800			CRD800.161035	CRD800.161035/V
20x1 mm ²	15	10	360	82	-	370	37	322	CRD370.201010	CRD370.201010/V
		20	360	92	-	570	47	422	CRD570.201020	CRD570.201020/V
24x1 mm ²	15,5	10	380	82	-	400	37	322	CRD400.241010	CRD400.241010/V
		15	380	92	-	520	47	322	CRD520.241015	CRD520.241015/V
		20	380	92	-	570	47	422	CRD570.241020	CRD570.241020/V
		25	390	92	-	620	47	422	CRD600.241025	CRD600.241025/V
30x1 mm ²	17,3	15	390	92	-	500	47	322	CRD500.301015	CRD500.301015/V
32x1 mm ²	18,8	5	390	92	-	478	47	322	CRD470.321005	CRD470.321005/V
		12	390	92	-	520	47	322	CRD520.321012	CRD520.321012/V
		20	390	92	-	620	47	422	CRD600.321020	CRD600.321020/V
		25			-	650	47	422	CRD650.321025	CRD650.321025/V
36x1 mm ²	18,8	15			-	570	47	422	CRD570.361015	CRD570.361015/V
		25			-	650	47	422	CRD650.361025	CRD650.361025/V