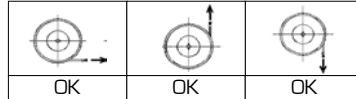
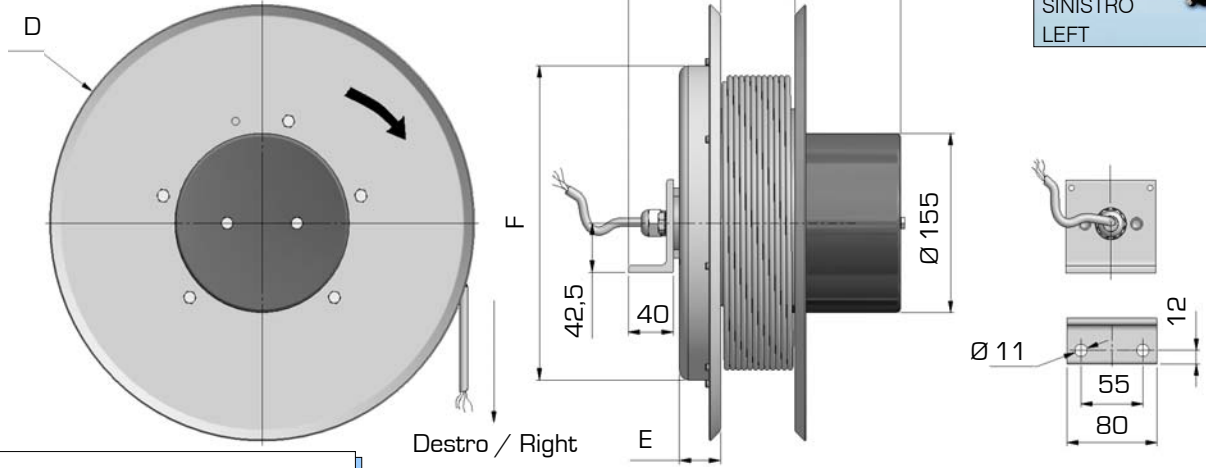


141.1

IP 65

 75 V
MAX
5 A

-20 / +60°C


NO MANUAL

 CRD 520 = MODELLO DESTRO / RIGHT MODEL
 CRS 520 = MODELLO SINISTRO / LEFT MODEL

Cavo/Cable			A	B	C	D	E	F	Uso orizzontale Horizontal use	Uso verticale Vertical use
Tipo/Type	ø mm	mt.	mm						CODE	CODE
2x1 mm ²	6,0	5	161	82	-	235	30	228	CRD230.021005	CRD230.021005/V
		10	161	82	-	235	30	228	CRD230.021010	CRD230.021010/V
		15	161	82	-	370	37	322	CRD370.021015	CRD370.021015/V
		27	161	92	-	422	37	322	CRD420.021027	CRD420.021027/V
		32	161	92	-	478	47	322	CRD470.021032	CRD470.021032/V
		36	161	92	-	520	47	322	CRD520.021036	CRD520.021036/V
3x1 mm ²	7,3	8	150	82	-	235	30	228	CRD230.031008	CRD230.031008/V
		10	210	82	-	275	37	272	CRD270.031010	CRD270.031010/V
		15	210	82	-	370	37	322	CRD370.031015	CRD370.031015/V
		25	220	92	-	422	37	322	CRD420.031025	CRD420.031025/V
		40	220	92	-	620	47	422	CRD600.031040	CRD600.031040/V
4x1 mm ²		12	174	82	-	370	37	322	CRD370.041012	CRD370.041012/V
6x1 mm ²	10,0	5	230	82	-	235	30	228	CRD230.061005	CRD230.061005/V
		15	250	82	-	370	37	322	CRD370.061015	CRD370.061015/V
		20	260	92	-	478	47	322	CRD470.061020	CRD470.061020/V
		25	260	92	-	520	47	322	CRD520.061025	CRD520.061025/V
		30	260	92	-	620	47	422	CRD600.061030	CRD600.061030/V
		35	260	92	-	720	47	532	CRD700.061035	CRD700.061035/V
7x1 mm ²	10,5	10	250	82	-	340	37	272	CRD340.071010	CRD340.071010/V
		18	250	82	-	370	37	322	CRD370.071018	CRD370.071018/V
		25	260	92	-	520	47	322	CRD520.071025	CRD520.071025/V
8x1 mm ²	11	10	250	82	-	340	37	272	CRD340.081010	CRD340.081010/V
		18	260	82	-	370	37	322	CRD370.081018	CRD370.081018/V
		25	260	92	-	520	47	322	CRD520.081025	CRD520.081025/V