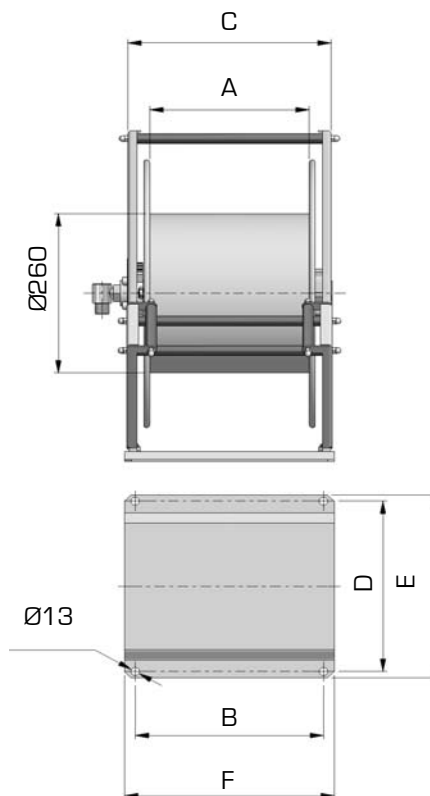
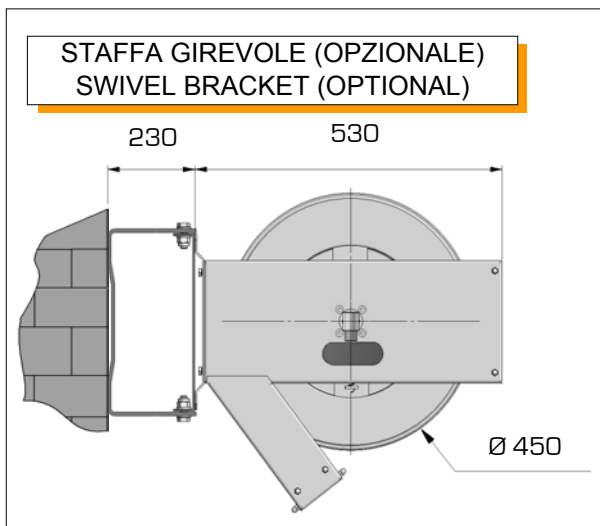


141.1



	MODELLO MODEL	PRESSIONE WORK.PRESS. MAX bar	A	B	C	D	E	F	Tubo /Hose			Staffa girevole Swivel bracket	
									tipo type	Ø	m	Tipo Type	
ARIA OLIO GASOLIO AIR OIL DIESEL-OIL ACCIAIO VERNICIATO PAINTED STEEL	9100-08	400	250	265	300	265	295	310	I21	5/16"	25	9084	
	9100-10									3/8"			
	9100-12									1/2"			
	9101-08	400	300	415	350	205	235	435	I21	5/16"	40	9079	
	9101-10									3/8"			
	9101-12									1/2"			
	9102-19	9102-25	80	150	265	205	205	235	305	2TE	3/4"	10	9076
	9102-25									1"	8		
	9103-19									9103-25	80	300	415
9103-25	1"	15											
9105-19	9105-25	80	400	470	450	255	285	500	2TE				
9105-25									1"				
ACQUA MAX 150°C ACCIAIO. INOX WATER MAX 150°C STAINLESS STEEL	9150-08	250	250	265	300	265	295	310	I21	5/16"	25	9085	
	9150-10									3/8"			
	9150-12									1/2"			
	9151-08	250	300	415	350	205	235	435	I21	5/16"	40	9080	
	9151-10									3/8"			
	9151-12									1/2"			
	9152-19	9152-25	80	150	265	205	205	235	305	2TE	3/4"	10	9078
	9152-25									1"	8		
	9153-19									9153-25	80	300	415
	9153-25	1"	15										
	9155-19	9155-25	80	400	470	450	255	285	500				
	9155-25									1"			